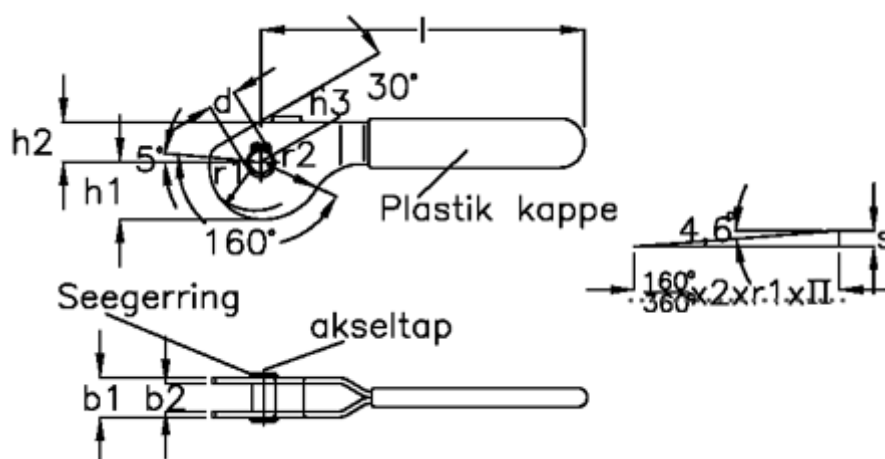


Article number: 20560038

Description: E+G Double cam lever
GN 917-10-17

Measures



B1 = 17	r2 = 26.45
B2 = 12	r2-h3 = 11.45
d = 10	s = 4.85
H1 = 24.54	
H2 = 17	
H3 = 15	
L = 138	
r1 = 21.6	